

**PROUD AMERICAN MANUFACTURER**

**ACAT**

TEL. 81 8354 8910  
[www.acatmexicana.com](http://www.acatmexicana.com)



# Scotchman<sup>®</sup>

Metal Fabricating Solutions

*Ironworkers | Cold Saws | Automatic Sawing Systems | Hydraulic Press | Pipe Notchers | Measuring Devices*

2024

# Cold Saws

COLD SAWS

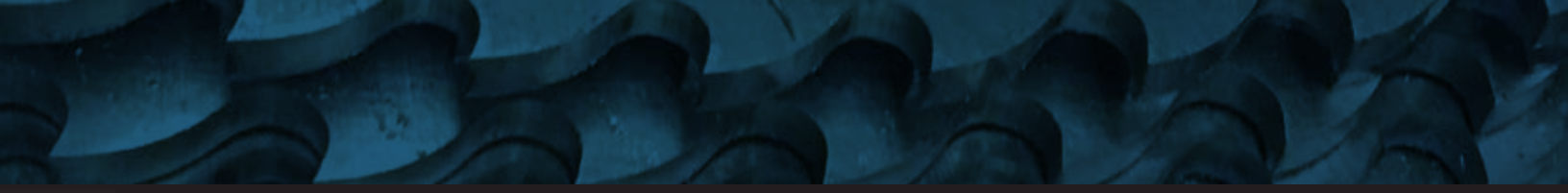


## Manual to Fully Automatic Circular Cold Saws For Ferrous & Non-Ferrous Materials

A Circular Cold Cut Saw is the best machine for cutting ferrous and non-ferrous metals. For mild steel and other ferrous materials, this unique type of cutting turns the blade at a very low RPM, similar to a milling process, giving a FAST, precise, burr-free cut without heat or sparks.

The Scotchman Cold Saw line is complete with both ferrous and non-ferrous models, manual to fully automatic, and is capable of cutting straight or angled cuts.

Scotchman also offers a complete selection of cold saw blades in stock for immediate delivery. Our in-house blade sharpening service provides high-quality and consistent results with a quick turnaround time.



COLD SAWS

<b>MANUAL TO SEMI-AUTOMATIC</b>	
CPO 350 SERIES PIVOT STYLE SAW .....	29-30
CPO 275 SERIES PIVOT STYLE SAW .....	31
OPTIONS AND ACCESSORIES FOR CPO 350 & 275 .....	32
<b>AUTOMATIC</b>	
HITCH FEED AUTOMATIC (HFA) PIVOT STYLE 90° SAW .....	33-34
ROLLER FEED AUTOMATIC (RFA) PIVOT STYLE 90° SAW .....	35
AUTOLOADER PIVOT STYLE AUTOMATIC SAW .....	36
SUP SERIES - (500 & 600) UPCUT STYLE MITER SAW .....	37-38
GAA SERIES - (500 & 600) UPCUT STYLE 90° SAW .....	39-40
<b>SAW BLADES, OPTIONAL EQUIPMENT &amp; SERVICES</b> ..41-42	

# Cold Saws *CPO 350 Series*

Steel & Ferrous metal cutting

COLD SAWS

## CPO 350

### MANUAL SAW

- Manual clamp for material vise
- Operator controlled trigger switch



## CPO 350 PK

### MANUAL SAW W/POWER CLAMP

- Air-operated clamp for material vise
- Operator controlled trigger switch



## CPO 350 PKPD

### SEMI-AUTOMATIC SAW

- Air-operated clamp for material vise
- Pneumatic power down feed with electric controls
- Emergency stop button



### STANDARD FEATURES

- Double self-centering vise assures burr-free cuts
- Miter capabilities 45° left to 45° right
- Miter locking device: quick, accurate setting-stops at 45° left, 90° & 45° right
- Capable of slotting
- Two cutting speeds
- Double reduction, hardened bronze gears
- Chip drawer
- Seven-gallon flood coolant tank with pump
- One HSS blade
- One gallon coolant
- Complies with ANSI B 11.10 safety standards
- Three-year warranty on parts
- Made in USA

### MAXIMUM CAPACITIES

(with a 350 mm blade)

Tubing	90 Degree	45 Degree
Round	4-1/2" (114 mm)	4" (102 mm)
Square	4-1/4" x 4-1/4" (108 x 108 mm)	3-3/4" x 3-3/4" (95 x 95 mm)
Rectangle	5-1/2" x 4" (140 x 102 mm)	3-3/4" x 3-3/4" (95 x 95 mm)
Solid	90 Degree	45 Degree
Round	1-3/4" (44 mm)	1-1/2" (38 mm)
Square	1-3/4" x 1-3/4" (44 x 44 mm)	1-1/2" x 1-1/2" (38 x 38 mm)

### SPECIFICATIONS

<b>Motor Options (must specify)</b>	<b>LT &amp; HT</b> - 208/230/460/575v, 3ph; 220v, 1ph <b>VS</b> - 230/460v, 3ph; 220v, 1ph <b>SS</b> - 220v, 1ph
<b>Air Pressure</b>	90 psi (PK and PKPD. N/A on CPO 350)
<b>Maximum Diameter Blade</b>	350 mm
<b>Arbor Bore</b>	40 mm
<b>Pin Spacing</b>	4/12/64
<b>Width</b>	21-7/8" (55.5 cm)
<b>Depth</b>	43-1/2" (110.5 cm)
<b>Height (not incl. feed handle)</b>	56-1/4" (143 cm)
<b>Height (floor to vise)</b>	36.8" (93.47 cm)
<b>Shipping Weight (may vary)</b>	CPO 350 660 lbs. (299 kg) CPO 350 PK: 690 lbs. (313 kg) CPO 350 PKPD: 760 lbs. (345 kg)

### CUTTING SPEEDS (must specify)

<b>LT (Low Turn)</b> designed for solid mild & stainless steel, & thick wall pipe.	LT 22/44 rpm, 3hp (2.24 kW)
<b>HT (High Turn)</b> designed for thin wall tube 0.060 wall thickness or thinner and non-ferrous material	HT 44/88 rpm , 3hp (2.24 kW)
<b>VS (Variable Speed)</b>	VS 11 to 177 rpm, 5hp (3.73 kW)
<b>SS (Single Speed)</b>	SS 44 rpm, 3hp (2.24 kW)



# Cold Saws *CPO 350 NF Series*

Aluminum, Non-Ferrous Metals & Plastic Cutting

## CPO 350 NF

### MANUAL SAW

- Manual clamp for material vise
- Operator controlled trigger switch



## CPO 350 NF PK

### MANUAL SAW W/POWER CLAMP

- Air-operated clamp for material vise
- Operator controlled trigger switch



## CPO 350 NF PKPD

### SEMI-AUTOMATIC SAW

- Air-operated clamp for material vise
- Pneumatic power down feed with electric controls
- Emergency stop button



COLD SAWS

### STANDARD FEATURES

- Double self-centering vise assures burr-free cuts
- Miter capabilities 45° left to 45° right
- Miter locking device: quick, accurate setting-stops at 45° left, 90°, & 45° right
- Capable of slotting
- Positive-driven cogged belt system
- Chip drawer
- Mist coolant lubrication system
- One carbide tipped blade
- One gallon coolant
- Complies with ANSI B 11.10 safety standards
- Three-year warranty on parts
- Made in USA

### MAXIMUM CAPACITIES

(with a 350 mm blade)

Tubing	90 Degree	45 Degree
Round	4-1/2" (114 mm)	4-1/4" (108 mm)
Square	4-1/4" x 4-1/4" (108 x 108 mm)	4" x 4" (102 x 102 mm)
Rectangle	5-1/2" x 4" (140 x 102 mm)	4" x 4" (102 x 102 mm)
<b>Solid</b>	<b>90 Degree</b>	<b>45 Degree</b>
Round	3" (76 mm)	2-1/2" (64 mm)
Square	3" x 3" (76 x 76 mm)	2-1/2" x 2-1/2" (64 x 64 mm)

### SPECIFICATIONS

Motor Options (must specify)	208/230/460v, 3ph
Air Pressure	90 psi
Maximum Diameter Blade	350 mm
Arbor Bore	40 mm
Pin Spacing	4/12/64
Width	21-7/8" (55.5 cm)
Depth	43-1/2" (110.5 cm)
Height (not incl. feed handle)	56-1/4" (143 cm)
Height (floor to vise)	36.8" (93.47 cm)
Shipping Weight (may vary)	CPO 350 NF: 625 lbs. (283 kg) CPO 350 NF/PK: 655 lbs. (297 kg) CPO 350 NF PK/PD: 725 lbs. (329 kg)

### CUTTING SPEEDS

Non-Ferrous Cutting Speeds	3,000 rpm, 5 hp (1.49 kW)
----------------------------	---------------------------



# Cold Saws *CPO 275 Series*

Steel & Ferrous metal cutting

## CPO 275

### MANUAL SAW

- Manual clamp for material vise
- Operator controlled trigger switch



## CPO 275 PK

### MANUAL SAW W/ POWER CLAMP

- Air-operated clamp for material vise
- Operator controlled trigger switch



## CPO 275 PKPD

### SEMI-AUTOMATIC SAW

- Air-operated clamp for material vise
- Pneumatic power down feed with electric controls
- Emergency stop button



### STANDARD FEATURES

- Double self-centering vise assures burr-free cuts
- Miter locking device stops 45° left, 90° and 45° right (Not available on PK or PKPD models)
- Capable of slotting
- Two cutting speeds
- Double reduction, hardened bronze gears
- Chip drawer
- Seven-gallon flood coolant tank with pump
- One HSS blade
- One gallon coolant
- Complies with ANSI B 11.10 safety standards
- Three-year warranty on parts
- Made in USA

### MAXIMUM CAPACITIES

(with a 275 mm blade)

tubing	90 Degree	45 Degree
Round	3-3/8" (86 mm)	2" (51 mm)
Square	3" x 3" (76 x 76 mm)	2" x 2" (51 x 51 mm)
Rectangle	3" x 2-3/8" (76 x 60 mm)	2" x 2" (51 x 51 mm)
Solid	90 Degree	45 Degree
Round	1-1/2" (38 mm)	1" (25 mm)
Square	1-1/2" x 1-1/2" (38 x 38 mm)	1" x 1" (25 x 25 mm)

### SPECIFICATIONS

<b>Motor Options (must specify)</b>	<b>LT &amp; HT:</b> 208/230/460/575v, 3ph <b>SS:</b> 220v, 1ph
<b>Air Pressure</b>	90 psi (PK and PKPD Only, n/a on CPO 275)
<b>Maximum Diameter Blade</b>	275 mm
<b>Arbor Bore</b>	32 mm
<b>Pin Spacing</b>	2/8/45
<b>Width</b>	21-7/8" (55.5 cm)
<b>Depth</b>	43-1/2" (110.5 cm)
<b>Height (not incl. feed handle)</b>	53-1/4" (135 cm)
<b>Height (floor to vise)</b>	36-1/8" (92 cm)
<b>Shipping Weight (may vary)</b>	CPO 275: 550 lbs. (249 kg) CPO 275 PK: 580 lbs. (263 kg) CPO 275 PKPD: 670 lbs. (304 kg)

### CUTTING SPEEDS

(must specify)

<b>LT (Low Turn)</b> designed for solid mild & stainless steel, & thick wall pipe.	LT 30/60 rpm, 2hp (1.49 kW)
<b>HT (High Turn)</b> designed for thin wall tube 0.060 wall thickness or thinner and non-ferrous material	HT 60/120 rpm, 1.5hp (1.12 kW)
<b>SS (Single Speed)</b>	SS 60 rpm, 2hp (1.49 kW)



# Cold Saw Options



**Blade Guide Laser Light**  
(Not Available on 275 series)



**Universal Clamping Fixture**



**Square Tube/Diagonal Vise Jaws**  
(Not Available on NF series)



**Variable Speed Control**  
(Not Available on NF or 275 series)  
Recommended for cutting multiple shapes, sizes, and thicknesses. RPM can be fine-tuned to achieve optimum blade speed for each application and extend blade life.

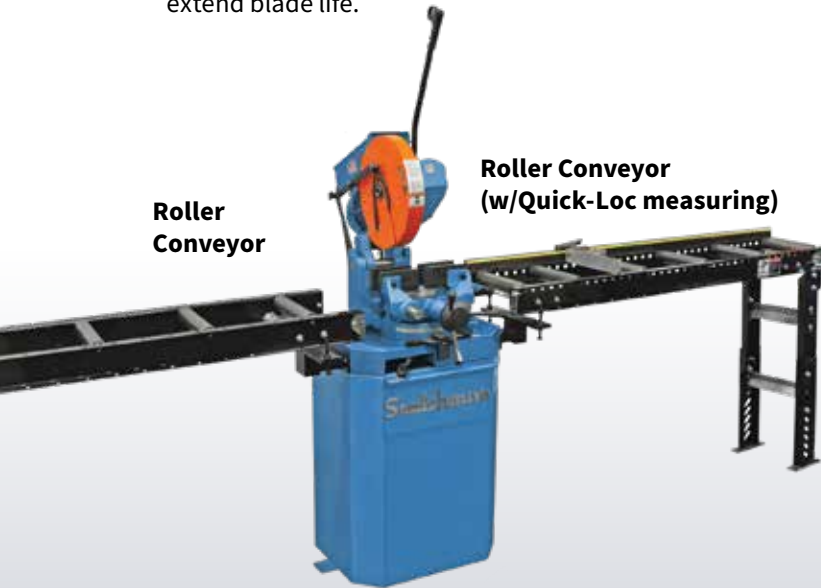


**Miter Locking Device**  
**Standard Feature**  
(not available for 275 PK or 275 PKPD models)



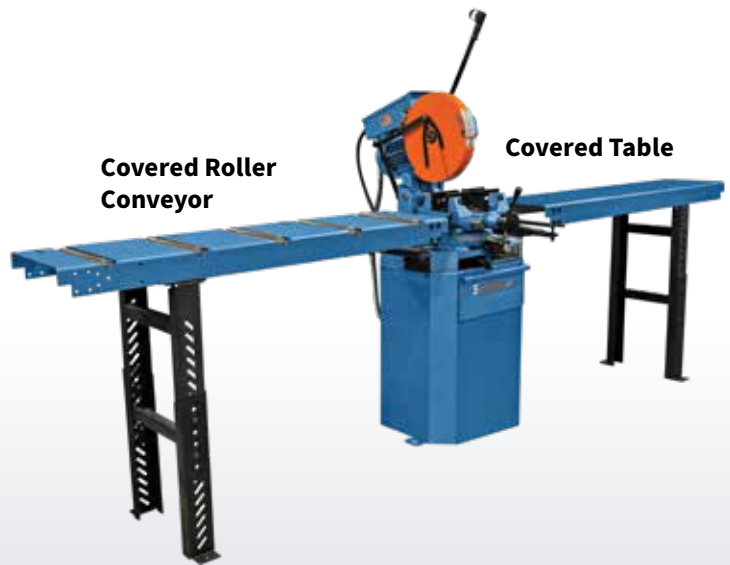
**Saw Blades**  
(See page 41)

COLD SAWS



**Roller Conveyor**

**Roller Conveyor (w/Quick-Loc measuring)**



**Covered Roller Conveyor**

**Covered Table**

## Automate your saw

Measuring devices available from manual to fully automatic.  
(See pages 43-46)



# Hitch Feed Automatic

COLD SAWS



Ideal for high volume and short length applications that require very accurate and clean cuts; this Hitch Feed Automatic (HFA) cold saw is fully automatic and provides uninterrupted cutting on tubing or solids.

## CPO 315 HFA

### STANDARD FEATURES

- Available in ferrous & non-ferrous
- Fully automatic cycle
- Push button controls
- Interlocking safety hood
- Emergency stop button
- Clamping both sides of blade - highest quality, burr-free cuts
- Blade guides for accurate tolerances (ferrous model)
- Mist coolant lubrication system
- Adjustable stroke control
- Adjustable down feed control on the saw head for feed rate
- Length scale in both inches and metric
- Quick and easy fine adjustment of length setting
- 30" single length shuttle
- Three shuttle max
- Piece counter
- One saw blade
- One gallon coolant
- Complies with ANSI B 11.10 safety standards
- Two-year warranty on parts
- Made in USA

### SPECIFICATIONS

<b>Length Tolerance</b>	±0.006" per index
<b>Squareness Tolerance</b>	±0.002" per diameter inch
<b>Minimum Cut Length</b>	1/8" (3 mm)
<b>Maximum Cut Length</b>	Single Index 30" Double Index 60" Triple Index 90"
<b>Motor Options (must specify)</b>	208/230/460v, 3ph
<b>Air Pressure</b>	90 psi
<b>Maximum Diameter Blade</b>	315 mm
<b>Arbor Bore Size</b>	40 mm
<b>Pin Spacing</b>	4/12/64
<b>Length</b>	100" (254 cm)
<b>Width</b>	44" (112 cm)
<b>Height</b>	64" (162.5 cm)
<b>Shipping Weight (may vary)</b>	1,800 lbs. (816.5 kg)

### OPTIONAL EQUIPMENT

- Flood coolant
- Form jaws for multiple tubes
- Digital read-out for quick easy length setting
- Ten-foot or twenty-foot material supply track

### CUTTING SPEEDS

<b>CPO 315 HFA (Ferrous)</b>	Variable Speed 11 to 177 rpm 5 hp (3.73 kW)
<b>CPO 315 HFA NF (Non-Ferrous)</b>	3,000 rpm 5 hp (3.73 kW)

### MAXIMUM CAPACITIES

(with a 315 mm blade)

Tubing	
<b>Round</b>	3-1/2" (≤ 89 mm)
<b>Square</b>	3" x 3" (≤ 76 x 76 mm)
Solid	
<b>Round</b>	1-3/4" (≤ 45 mm)
<b>Square</b>	1-1/2" x 1-1/2" (≤ 38 x 38 mm)
Solid (NF Models)	
<b>Round</b>	3-1/2" (≤ 89 mm)
<b>Square</b>	3" x 3" (≤ 76 x 76 mm)





# Hitch Feed Automatic CNC



This fully automatic CNC saw allows for unlimited length settings; plus, the first piece cut is *always* accurate.

Easily program a quantity of pieces cut to a specific length OR program up to four separate lengths & part quantities to be cut in sequence.

COLD SAWS

## STANDARD FEATURES

- Available in ferrous & non-ferrous
- Fully automatic cycle
- Touch screen controls
- Precision CNC controlled
- Interlocking safety hood
- Emergency stop button
- Clamping both sides of blade - highest quality, burr-free cuts
- Blade guides for accurate tolerances (ferrous model)
- Mist coolant lubrication system
- Adjustable stroke control
- Adjustable down feed control on the saw head for feed rate
- Adjustable indexing feed speeds
- Program up to four separate cut lengths in each job
- 100 program job storage
- 30" single length shuttle
- Unlimited shuttles
- Piece counter
- One saw blade
- One gallon coolant
- Complies with ANSI B 11.10 safety standards
- Two-year warranty on parts
- Made in USA

## CPO 315 HFA CNC

### SPECIFICATIONS

Length Tolerance	±0.006" per index
Squareness Tolerance	±0.002" per diameter inch
Minimum Cut Length	1/8" (3 mm)
Maximum Cut Length	unlimited
Motor Options (must specify)	208/230/460v, 3ph
Air Pressure	90 psi
Maximum Diameter Blade	315 mm
Arbor Bore Size	40 mm
Pin Spacing	4/12/64
Length	100" (254 cm)
Width	44" (112 cm)
Height	64" (162.5 cm)
Shipping Weight (may vary)	1,800 lbs. (816.5 kg)

## OPTIONAL EQUIPMENT

- Flood coolant
- Form jaws for multiple tubes
- Ten-foot or twenty-foot material supply track

## CUTTING SPEEDS

CPO 315 HFA (Ferrous)	Variable Speed 11 to 177 rpm 5 hp (3.73 kW)
CPO 315 HFA NF (Non-Ferrous)	3,000 rpm 5 hp (3.73 kW)

## MAXIMUM CAPACITIES

(with a 315 mm blade)

Tubing	
Round	3-1/2" (≤ 89 mm)
Square	3" x 3" (≤ 76 x 76 mm)
Solid	
Round	1-3/4" (≤ 45 mm)
Square	1-1/2" x 1-1/2" (≤ 38 x 38 mm)
Solid (NF Models)	
Round	3-1/2" (≤ 89 mm)
Square	3" x 3" (≤ 76 x 76 mm)



# Roller Feed Automatic *CPO 315 RFA*

Ideal for high volume and long length applications that require very accurate and clean cuts; this Roller Feed Automatic (RFA) cold saw is fully automatic, can store profile settings such as speeds and feeds, and is designed to your specifications.



(RFA shown with Supply Table)



Optional Bundle Loading Magazine

COLD SAWS

## STANDARD FEATURES

- Available in ferrous and non-ferrous
- Fully automatic cycle
- Touch screen controls
- Interlocking safety hood
- Emergency stop button
- Automatic loading and trim cut of each new bar
- Automatic tube ejection
- Trim and remnant gate
- Clamping both sides of blade - highest quality, burr-free cuts
- Blade guides for accurate tolerances (ferrous model)
- Adjustable stroke control on the saw head
- Adjustable downfeed control on saw head for feed rate
- Length scale in both inches and metric
- Digital read-out for quick and easy fine adjustment of length setting
- Piece counter
- Mist coolant lubrication system
- One saw blade
- One gallon coolant
- Complies with ANSI B 11.10 safety standards
- Two-year warranty on parts
- Made in USA

## OPTIONAL EQUIPMENT

- In-line deburring unit
- Flood coolant
- Longer cut lengths - 90" or 120"
- Bundle loader magazine

## MAXIMUM CAPACITIES

(with a 315 mm blade)

Tubing	
Round	3" (76 mm)
Square	2-1/2" x 2-1/2" (64 x 64 mm)
Solid	
Round	1-3/4" (44 mm)
Square	1-1/2" x 1-1/2" (38 x 38 mm)
Solid (NF Models)	
Round	3" (76 mm)
Square	2-1/2" x 2-1/2" (64 x 64 mm)



## SPECIFICATIONS

Length Tolerance	±0.006" repeatability	
Squareness Tolerance	±0.002" per diameter inch	
Minimum Cut Length	1-1/4" (32 mm)	
Maximum Cut Length	60" (90" or 120" available)	
Minimum Trim Cut	1" (25 mm)	
Motor Options (must specify)	208/230/460v, 3ph	
Air Pressure	90 psi	
Maximum Diameter Blade	315 mm	
Arbor Bore Size	40 mm	
Pin Spacing	4/12/64	
12' Supply Table (ST)	Maximum Raw Stock (12' ST)	12'
	Load Table Capacity	24"
	Dimensions - 12' ST w/60" Saw	(L) 240" (W) 48" (H) 60"
24' Supply Table (ST)	Maximum Raw Stock (24' ST)	24'
	Load Table Capacity	24"
	Dimensions - 24' ST w/60" Saw	(L) 380" (W) 48" (H) 60"
Bundle Loader (BL)	Maximum Raw Stock (BL)	Up to 24'
	Load Table Capacity	4,000 lbs
	Dimensions - 24' BL w/60" Saw	(L) 384" (W) 93" (H) 60"

## CUTTING SPEEDS

CPO 315 RFA/ST (Ferrous)	Variable Speed 11 to 177 rpm 5 hp (3.73 kW)
CPO 315 RFA/ST NF (Non-Ferrous)	3,000 rpm 5 hp (3.73 kW)

# CPO 350 AutoLoader

The CPO 350 AutoLoader is a fully automatic sawing system guaranteed to save time, eliminate costly mistakes, and deliver consistent results for years to come. Quick set-up, automatic part length change, and the fast reloading of material adds efficiency.



COLD SAWS

## STANDARD FEATURES

- Available in ferrous and non-ferrous
- Fully automatic cycle or semi-automatic operation
- Pneumatic power down feed with electric controls
- Adjustable stroke control
- Adjustable down feed control on saw head for feed rate
- Air operated material vise clamp
- Clamping on both sides of the blade
- Fixed rear vise
- Double reduction, hardened bronze gears (ferrous model)
- Chip drawer
- Emergency stop button
- Clear awareness barrier with safety interlock switch
- Mist coolant lubrication system
- Material feed direction can be either:  
R → L or L → R (must specify)
- Miter in only one direction (manually)
- Semi-auto operation is standard for cutting miters
- Automatic loading & trim cut of each new bar
- Piece counter
- Touch screen controls
- Windows® based software (Includes profile screen)
- Unlimited job storage
- One saw blade
- One gallon coolant
- Complies with ANSI B 11.10 safety standards
- Two-year warranty on parts (Saw)
- One-year warranty on parts (Feed system)
- Made in USA

## OPTIONAL EQUIPMENT

- Bundle loader magazine (see page 35)
- Flood coolant

## MAXIMUM CAPACITIES

(with a 350 mm blade)

Tubing	90 Degree	45 Degree
Round	3" (76 mm)	2" (51 mm)
Square	3" (76 mm)	2" (51 mm)
<b>Solid</b>	<b>90 Degree</b>	<b>45 Degree</b>
Round	1-3/4" (45 mm)	1-1/2" (38 mm)
<b>Solid (NF)</b>	<b>90 Degree</b>	<b>45 Degree</b>
Round	3" (76 mm)	2" (51 mm)
Square	3" (76 mm)	2" (51 mm)



**AutoLoader  
Supply Table**

## SPECIFICATIONS

<b>Length Tolerance</b>	±0.015" repeatability	
<b>Squareness Tolerance</b>	±0.002" per diameter inch	
<b>Minimum Cut Length</b>	1/2" (12 mm)	
<b>Maximum Cut Length</b>	23' 9" (724 cm)	
<b>Motor Options (must specify)</b>	208/230/460v, 3ph	
<b>Air Pressure</b>	90 psi	
<b>Maximum Diameter Blade</b>	350 mm	
<b>Arbor Bore Size</b>	40 mm	
<b>Pin Spacing</b>	4/12/64	
<b>12' Supply Table (ST)</b>	<b>Maximum Raw Stock (12' ST)</b>	12'
	<b>Load Table Capacity</b>	24"
	<b>Dimensions - 12' ST w/Saw</b>	(L) 236" (W) 47" (H) 68"
<b>24' Supply Table (ST)</b>	<b>Maximum Raw Stock (24' ST)</b>	24'
	<b>Load Table Capacity</b>	24"
	<b>Dimensions - 24' ST w/Saw</b>	(L) 377" (W) 47" (H) 68"

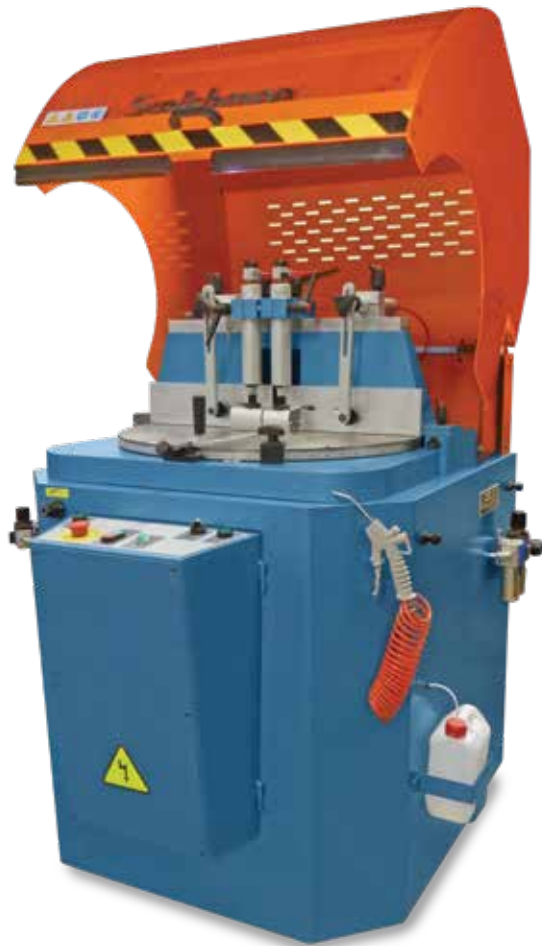
## CUTTING SPEEDS

<b>CPO 350 (Ferrous)</b>	Variable Speed 11 to 177 rpm 5 hp (3.73 kW)
<b>CPO 350 NF (Non-Ferrous)</b>	3,000 rpm 5 hp (3.73 kW)



# Upcut Miter *SUP Series*

Large capacity precision mitering upcut saw for aluminum, non-ferrous metals, and plastic cutting. Available in 20" or 24" blade models.



COLD SAWS

## STANDARD FEATURES

- Non-Ferrous saw
- Miter capabilities with fixed stops at 22.5°, 45°, 90°, 135°, and 157.5°
- Safety hood with safety interlock switch
- Power hood (SUP-600 NF model)
- Blade door with safety interlock switch
- Dual palm buttons
- Adjustable feed rate on saw head
- Two horizontal pneumatic clamps
- Two vertical pneumatic clamps
- Capable of slotting
- Moveable back fence for larger capacity
- One gallon coolant
- Mist lubrication system
- One carbide tipped blade
- Air hose
- Chip collection drawer in base and 4-3/4" chip collection port
- Adjustable leveling pads
- Meets CE standards
- Three-year warranty on parts
- Made in Spain

## CUTTING SPEEDS

SUP-500 NF	3,000 rpm 5.5 hp (4.1 kW)
SUP-600 NF	3,000 rpm 5.5 hp (4.1 kW)



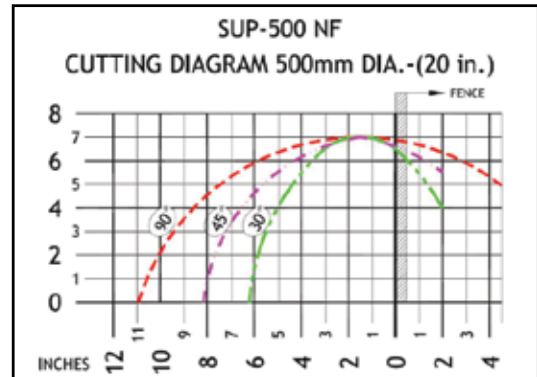
► **Manual to Full-Auto Feed Systems Available.**  
(See pages 43-46)

## SUP-500 NF

### MAXIMUM CAPACITIES

(With a 500 mm Dia Blade)

	90 Degree	45 Degree
<b>Round</b>	7" (178 mm)	7" (178 mm)
<b>Square</b>	6" (152 mm)	4-3/4" (121 mm)
<b>Rectangle</b>	7-3/4" x 5" (197 x 127 mm) *FS 12" x 4" (305 x 102 mm) *FB	5-3/4" x 4-3/4" (146 x 121 mm)

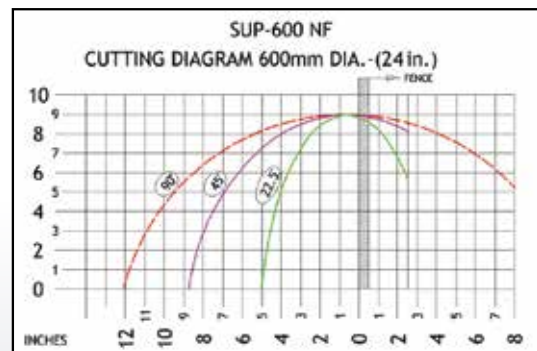


## SUP-600 NF

### MAXIMUM CAPACITIES

(With a 600 mm Dia Blade)

	90 Degree	45 Degree
<b>Round</b>	9" (229 mm)	9" (229 mm)
<b>Square</b>	8" (203 mm)	7" (178 mm)
<b>Rectangle</b>	8-1/2" x 6" (216 x 152 mm) *FS 15" x 6" (381 x 152 mm) *FB	10" x 4" (254 x 102 mm)



## SPECIFICATIONS

	SUP-500	SUP-600
<b>Motor Options (must specify)</b>	230/460v, 3ph	
<b>Air Pressure</b>	90 psi	
<b>Maximum Diameter Blade</b>	500 mm	600 mm
<b>Arbor Bore</b>	50 mm	50 mm
<b>Width</b>	42" (107 cm)	49-1/4" (126 cm)
<b>Depth</b>	45-3/8" (115 cm)	54-1/2" (139 cm)
<b>Height (top of the hood)</b>	60-1/4" (153 cm)	64-3/8" (164 cm)
<b>Height (floor to table)</b>	38-5/8" (98 cm)	
<b>Shipping Weight (may vary)</b>	1,200 lbs. (545 kg)	1,465 lbs. (665 kg)

\*FS = Fence Standard \*FB = Fence Back All specs are fence back, unless otherwise noted.

# AngleMaster Upcut Miter

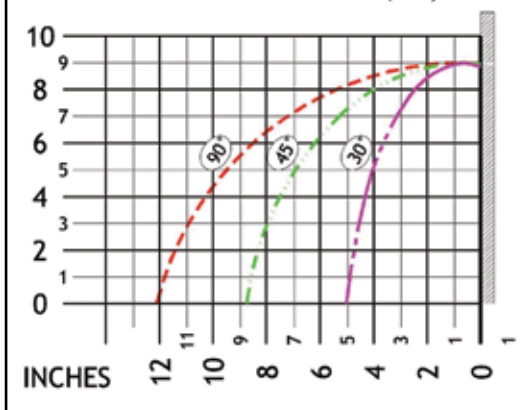
## SUP-600 AngleMaster

### MAXIMUM CAPACITIES

(With a 600 mm Dia Blade)

	90 Degree	45 Degree
Round	8" (203 mm)	7" (178 mm)
Square	7" (178 mm)	6" (152 mm)
Rectangle	9" x 5" (229 x 127 mm)	7" x 4-3/4" (178 x 121 mm)

### ANGLE MASTER 600 CUTTING DIAGRAM 600mm (24") DIA.



### SPECIFICATIONS

	SUP-600
Motor Options (must specify)	230/460v, 3ph
Air Pressure	90 psi
Maximum Diameter Blade	600 mm
Arbor Bore	50 mm
Width	49-1/4" (126 cm)
Depth	54-1/2" (139 cm)
Height (top of the hood)	64-3/8" (164 cm)
Height (floor to table)	38-5/8" (98 cm)

### CUTTING SPEEDS

SUP-600 NF	3,000 rpm 5.5 hp (3.73 kW)
------------	-------------------------------

Large capacity upcut saw for aluminum, plastic, and non-ferrous metals. Combines an automatic mitering ability with a programmable feed.



This precision semi-automatic programmable sawing system automatically rotates to cut any angle, pushes material into the saw, then automatically rotates to the next desired angle.

### STANDARD FEATURES

- Non-ferrous saw
- Semi automatic operation
- Mitering degree range 22° to 159°
- Feed length available - 10' to 30'
- Right-to-Left feed only
- Touch screen controls
- Windows® based software (includes profile screen)
- Unlimited job storage
- Powered safety hood with safety interlock switch
- Blade door with safety interlock switch
- Dual palm buttons
- Adjustable feed rate on saw head
- Two horizontal pneumatic clamps
- Two vertical pneumatic clamps
- Capable of slotting
- One gallon coolant
- Mist coolant lubrication system
- One carbide tipped blade
- Air hose
- Chip collection drawer in base and 4-3/4" chip collection port
- Adjustable leveling pads
- Meets CE standards
- Two-year warranty on parts (saw)
- One-year warranty on parts (feed system)
- Saw Made in Spain
- Feed system Made in USA

### Straight Cuts – Miter Cuts – and Everything In-Between



### OPTIONAL FEATURE

- **Auto 90° program** allows machine to run in full auto mode when cutting at 90°.

# Automatic Upcut

Large capacity automatic upcut saw for cutting non-ferrous materials at 90°. Fits almost any profile and is capable of drilling and tapping holes with DT20 option.

COLD SAWS



## GAA-500-90

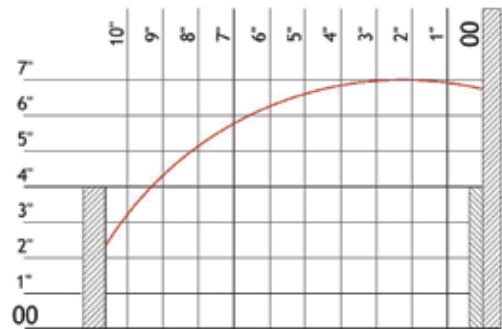
### MAXIMUM CAPACITIES

(With a 500 mm Dia Blade)

	90 Degree
Round	6" (152 mm)
Square	6" x 6" (152 x 152 mm)
Rectangle	10" x 3" (254 x 76 mm)

### GAA-500-90

CUTTING CAPACITY - Ø500mm (20") BLADE



### STANDARD FEATURES

- Non-ferrous saw
- Shuttle feed design cuts at 90° only
- Automatic or Semi-automatic operation
- Automatic feeder, 20" x 2 strokes (20" + 20" Max. double advance)
- Adjustable length selector from 0.200 to 20"
- LED lighting
- Powered hood lift
- Emergency stop
- Adjustable cutting & feeding speeds
- Three horizontal pneumatic clamps
- Three vertical pneumatic clamps
- One gallon coolant
- Mist coolant lubrication system
- One carbide tipped blade
- Air hose
- Base designed as a chip collection with two extraction ports
- Adjustable leveling pads
- Meets CE standards
- Two-year warranty on parts
- Made in Spain

### SPECIFICATIONS

	GAA-500-90	GAA-500-90 DT20
Length Tolerance	±0.006" per index	±0.006" per index
Motor Options (must specify)	230/460v, 3ph	
Air Pressure	90 psi	90 psi
Maximum Diameter Blade	500 mm	500 mm
Arbor Bore	50 mm	50 mm
Width	75" (191 cm)	75" (191 cm)
Depth	42" (107 cm)	52-1/2" (133 cm)
Height (top of hood)	60-1/4" (153 cm)	81" (206 cm) (top of drill)
Height (floor to table)	38-5/8" (98 cm)	38-5/8" (98 cm)
Shipping Weight (may vary)	1,300 lbs. (590 kg)	1,535 lbs. (696 kg)

### CUTTING SPEEDS

GAA-500-90	3,000 rpm 7.5 hp (5.59 kW)
GAA-500-90 DT20	3,000 rpm 7.5 hp (5.59 kW)

### OPTIONAL EQUIPMENT

- Drill/Tap 20mm (DT20) (shown at left)
- CNC Controls can be added to DT20 models.



### Optional Drill/Tap



# Automatic Upcut CNC

Precision CNC controlled upcut circular saw for cutting aluminum, plastic, or non-ferrous metals at 90°.



## GAA-600-90 CNC

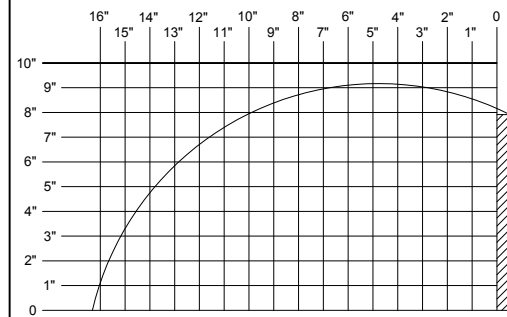
### MAXIMUM CAPACITIES

(With a 600 mm Dia Blade)

	90 Degree
Round	8" (203 mm)
Square	8" x 8" (203 x 203 mm)
Rectangle	14" x 4" (356 x 102 mm)

## GAA-600 CNC

CUTTING CAPACITY Ø600mm (24") Blade



COLD SAWS

### STANDARD FEATURES

- Non-ferrous saw
- Shuttle feed design cuts at 90° only
- Automatic or semi-automatic operation
- Precision CNC controls
- 27" of ballscrew servomotor automatic feeder
- Unlimited stroke
- LED lighting
- Powered hood lift
- Emergency stop
- Adjustable cutting & feeding speeds
- Three horizontal pneumatic clamps
- Three vertical pneumatic clamps
- One gallon coolant
- Mist coolant lubrication system
- One carbide tipped blade
- Air hose
- Base designed as a chip collection with two extraction ports
- Adjustable leveling pads
- Meets CE standards
- Two-year warranty on parts
- Made in Spain

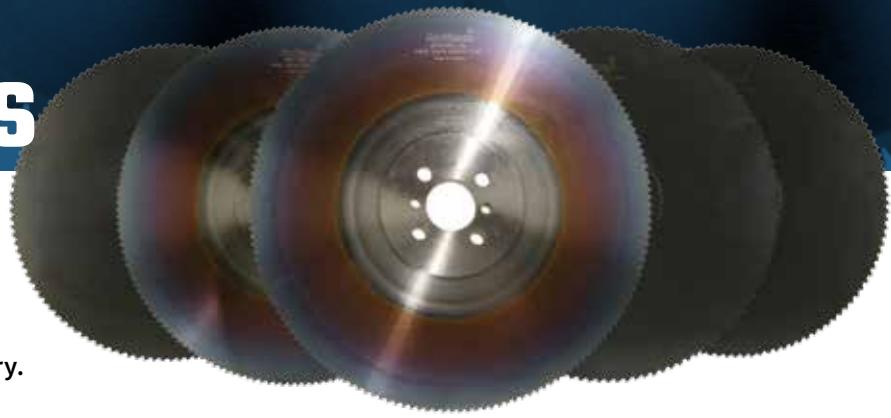
### SPECIFICATIONS

	GAA-600 CNC
<b>Length Tolerance:</b>	±0.006" per index
<b>Motor Options: (must specify)</b>	230/460v, 3ph
<b>Air Pressure:</b>	90 psi
<b>Maximum Diameter Blade:</b>	600 mm
<b>Arbor Bore:</b>	50 mm
<b>Width:</b>	75" (191 cm)
<b>Depth:</b>	60" (152 cm)
<b>Height (top of hood):</b>	65" (165 cm)
<b>Height (floor to table):</b>	38-5/8" (98 cm)
<b>Shipping Weight: (may vary)</b>	1750 lbs. (794 kg)

### CUTTING SPEEDS

GAA-600 CNC	3,000 rpm 7.5 hp (5.59 kW)
-------------	-------------------------------

# Saw Blades



## IN STOCK BLADES

A complete selection of blades and coolant available for immediate delivery.

**Carbide-tipped for non-ferrous models**

**250 mm HSS-DMo5  
32 mm BORE  
2/8/45 & 2/11/63 Pin Spacing**

Part No.	Thickness	Teeth
74300	0.080	90
74304	0.080	100
74302	0.080	120
74306	0.080	150
74305	0.080	180
74307	0.080	240

**275 mm HSS-DMo5  
32 mm BORE  
2/8/45 & 2/11/63 Pin Spacing**

Part No.	Thickness	Teeth
74360	0.080	90
74361	0.080	100
74362	0.080	120
74363	0.080	150
74365	0.080	180
74366	0.080	220
74367	0.080	260

**Non-Ferrous Standard Cold Saw Blades  
40 mm BORE  
2/8/55 & 4/12/64 Pin Spacing**

Part No.	Thickness	Diameter	Teeth
74334	0.091	300 mm	120 Carbide
74327	0.134	300 mm	72 Carbide
74329	0.134	350 mm	84 Carbide

**50 mm BORE 2/15/80 Pin Spacing**

Part No.	Thickness	Diameter	Teeth
74490	0.161	500 mm	80 Carbide
74495	0.181	500 mm	96 Carbide
74500	0.181	500 mm	120 Carbide
74505	0.177	600 mm	72 Carbide
74510	0.181	600 mm	132 Carbide

**275 mm HSS-DMo5  
40 mm BORE  
2/8/55 & 4/12/64 Pin Spacing**

Part No.	Thickness	Teeth
74309	0.100	90
74308	0.100	100
74310	0.100	120
74311	0.100	150
74312	0.100	180
74313	0.100	220
74314	0.100	260

**315 mm HSS-DMo5  
40 mm BORE  
2/8/55 & 4/12/64 Pin Spacing**

Part No.	Thickness	Teeth
74355	0.100	90
74356	0.100	100
74357	0.100	110
74345	0.100	120
74348	0.100	150
74350	0.100	180
74352	0.100	220
74354	0.100	280

**350 mm HSS-DMo5  
40 mm BORE  
2/8/55 & 4/12/64 Pin Spacing**

Part No.	Thickness	Teeth
74390	0.100	90
74391	0.100	100
74392	0.100	110
74393	0.100	120
74394	0.100	150
74395	0.100	180
74396	0.100	220
74397	0.100	280

**POWER 2000 Blades  
315 mm • 40 mm BORE  
2/8/55 & 4/12/64 Pin Spacing**

Part No.	Thickness	Teeth
074372	0.070	ALL

PVD coated for longer blade life with a notched grind for faster cutting speeds. Designed to operate at 80 to 170 RPM, Maximum wall thickness 0.100.

**PERFORMANCE 3000 Blades  
315 mm • 40 mm BORE  
2/8/55 & 4/12/64 Pin Spacing**

Part No.	Thickness	Teeth
074349	0.098	ALL

PVD coated for longer blade life. Designed for solids and 0.100 wall tube or thicker.

## BAND SAW BLADES

- Made in USA

Part No.	Size	Teeth
074600	1" x 96.5"	4-6 TPI
074610	1" x 96.5"	6-10 TPI

## COOLANT

- Synthetic sawing coolant for mild and stainless steel
- Syncon2 lubricant for non-ferrous



# Saw Services & Equipment

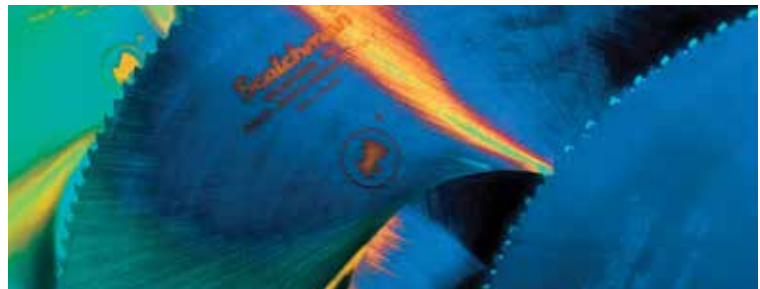
## Blade Sharpening Service

Scotchman's in-house blade sharpening service is fast and provides high-quality and consistent results. Our specialist can sharpen any HSS blade, re-tooth a chipped blade, or do a complete gum & sharpen, and will grind your blade to any number of teeth you request.



## Test Cuts/Cycle Times

Scotchman offers Free test cutting of your material and can evaluate your application. Our specialists will provide a full analysis of cycle times, optional RPMs, and offer saw and saw blade recommendation and tooth configuration.



COLD SAWS

## Chip Vacuum

This high-efficiency industrial Vac is ideal for collecting aluminum, dust, chips, and plastic shavings.

### STANDARD FEATURES

- Centrifugal fan with a flow rate of 1471 CFM
- Container capacity 42-gallon
- Structure completely made of steel
- Anti-scuff wheels with parking brake
- Quick release collection container
- Visual filling indicator
- Pneumatic vibrating motor for filter cleaning
- 4.8 hp motor – 230/460v, 3ph, 60Hz
- Two 6" ports
- Five meters of 5" flex tube
- Made in Italy

### OPTIONAL FEATURES

- Remote start control
- Cleaning kit for post-work machine cleaning



## AccuTable Digital Caliper

Easily make critical quality control measurements with the AccuTable from Scotchman®. This high-precision caliper table accurately measures material up to 16-foot-long to  $\pm 0.004$ ". The Windows® Tablet PC effortlessly reads and stores measurements and can be accessed wirelessly over your network. Customized solutions can calculate SPC (Statistical Process Control) information, create graphs, charts, and more – plus, it is American Made.

### STANDARD FEATURES

- Accuracy  $\pm 0.004$ " over 10 ft.
- Repeatability  $\pm 0.0015$ "
- Windows® tablet PC
- Built-in WiFi and USB port
- Inch / metric conversions
- Available in 8, 10, 12, 14, and 16 ft. lengths
- 1-year factory warranty
- 5-year belt warranty
- Made in USA



# Measuring *Manual*

- Enhance Accuracy • Boost Productivity
- Maximize Cutting Efficiency • Improve Safety
- Decrease Set-Up Time • Eliminate Waste

We specialize in high-precision length measuring gauges and turnkey automation solutions for the steel and aluminum industries. Take your operations to a whole new level by adding an automated measuring system to your current machine.

Manual to fully automatic systems available. Talk to our specialists to find the best solution for your needs.



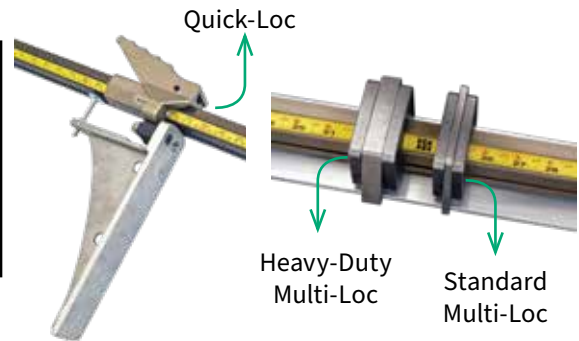
## Scotchman Measuring Devices

Manual Length Positioner .....	43
Digital Length Gauge & Positioner .....	44
Semi-Automatic Stop/Pusher System .....	45
Fully Automatic Material Feed System.....	46
Quality Control Caliper Table .....	42

## Manual Length Positioners

Replace your tape measure with one of our Patented Loc-Stop Systems to increase accuracy and reduce set-up times. The teeth on the rail (1/16" increments) align together with the teeth on the stainless-steel stops to give you the exact measurement you set and are guaranteed not to slip.

Available in left-hand and right-hand models and adaptable to almost ANY type of machinery.

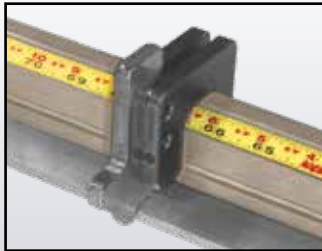


### Quick-Loc Stop System (AMS)

Simply squeeze the handle on the Quick-Loc System, slide it into position, and release it. Your measurement is set and will not slip.



**10" Extension**  
Available for Quick-Loc.



**Vertical Stop Block**  
Available for Multi-Loc.

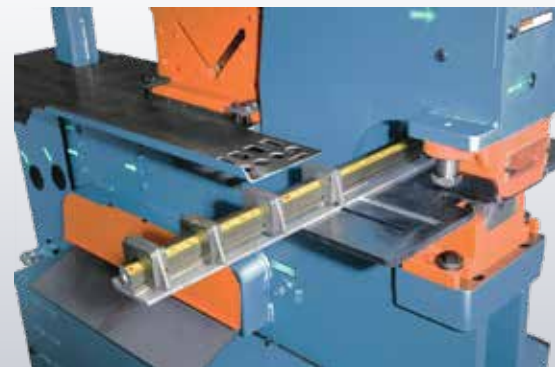


**Roller Conveyor**  
Available for Quick-Loc & Multi-Loc.  
5' & 10' Increments;  
up to 25 foot lengths.

### Multi-Loc Stop System (AMS)

This system makes setting your production runs faster. Simply press down the stainless-steel stops at various lengths along the rail so you're not changing the set-up each time. Multiple stops can be placed on the rail as close to 1" apart using the Standard Stops, and 1-1/2" apart using the Heavy Duty stops.

Three stops come standard with each Multi-Loc Stop System.



**Multi-Loc Stop System shown on a Scotchman Ironworker.**

# Measuring *Digital*

## Digital Length Gauge LG Measuring Device

### Slide & Measure – It's that simple!

Add digital measuring capability to the angle shear or bar shear on your ironworker so you can measure faster & more precisely without the need for a tape measure and pencil. Just clamp this LG Device to your work station bracket and it displays a digital measurement of any material slid underneath it.

Our LG Measuring Kit comes with one Digital Length Gauge and both an Angle Shear mount & a Bar Shear mount.

#### FEATURES

- Blade Kerf & Angle Compensation
- Quick attach/detach to move from one station to the next

#### TECHNICAL SPECS

- Accuracy –  $\pm 0.029"$
- Precision –  $\pm 0.019"$
- Warranty – 1 Year Limited
- Power – 2 AA Batteries  
(not included)

#### DISPLAY UNITS

- Decimal Inch
- Fractional Inch (1/16")
- Fractional Inch (1/32")
- Foot to Inch (Decimal)
- Foot to Inch (Fractional)
- Millimeters
- Centimeters
- Meters



On Bar Shear



On Angle Shear

Scan QR code to watch this device in action!



MEASURING DEVICES

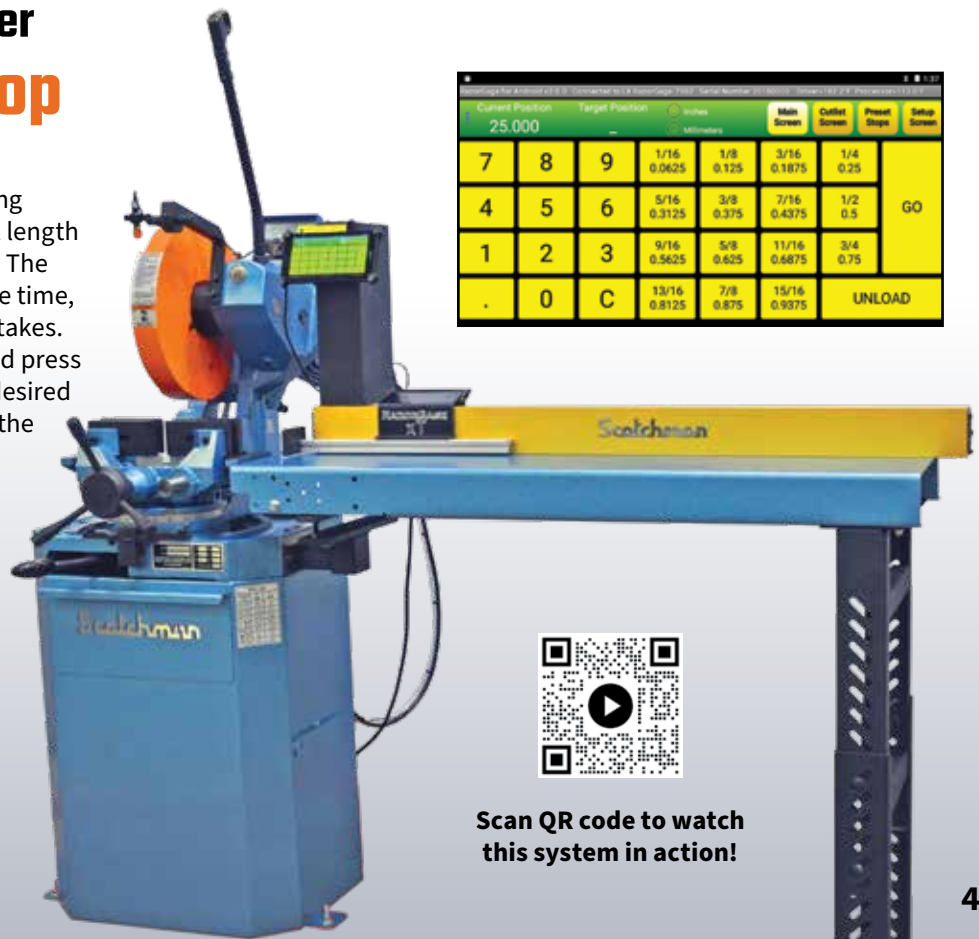
## Digital Length Positioner Digital Quick Stop

### Simple Go-To Stop

Turn your manual saw into a part cutting workhorse using this entry level digital length gauge that is easy to use and calibrate. The Digital Quick Stop is guaranteed to save time, reduce scrap, and eliminate costly mistakes. Simply key in the desired cut length and press go; the positioner then moves to that desired length. Place your material up against the fence and make your cut.

#### FEATURES

- Positioner accuracy  $\pm 0.008"$
- FAST! 17 inches/second
- 7" Android tablet
- Works in inches, fractions, decimals, or metric
- Fraction keys work as the "go" key
- Unlimited preset keys & list storage
- Mounts left  $\rightarrow$  right OR right  $\rightarrow$  left  
(must specify)
- Available in 8' & 12' lengths
- One-year factory warranty
- Made in USA



Current Position		Target Position		Units		Main Screen	Output Screen	Preset Stops	Setup Screen
25.000									
7	8	9	1/16 0.0625	1/8 0.125	3/16 0.1875	1/4 0.25	GO		
4	5	6	5/16 0.3125	3/8 0.375	7/16 0.4375	1/2 0.5			
1	2	3	9/16 0.5625	5/8 0.625	11/16 0.6875	3/4 0.75			
.	0	C	13/16 0.8125	7/8 0.875	15/16 0.9375	UNLOAD			



Scan QR code to watch this system in action!

# Measuring *Semi-Auto*

## SEMI-AUTOMATED Stop/Pusher System

### Programmable length stop or material pusher

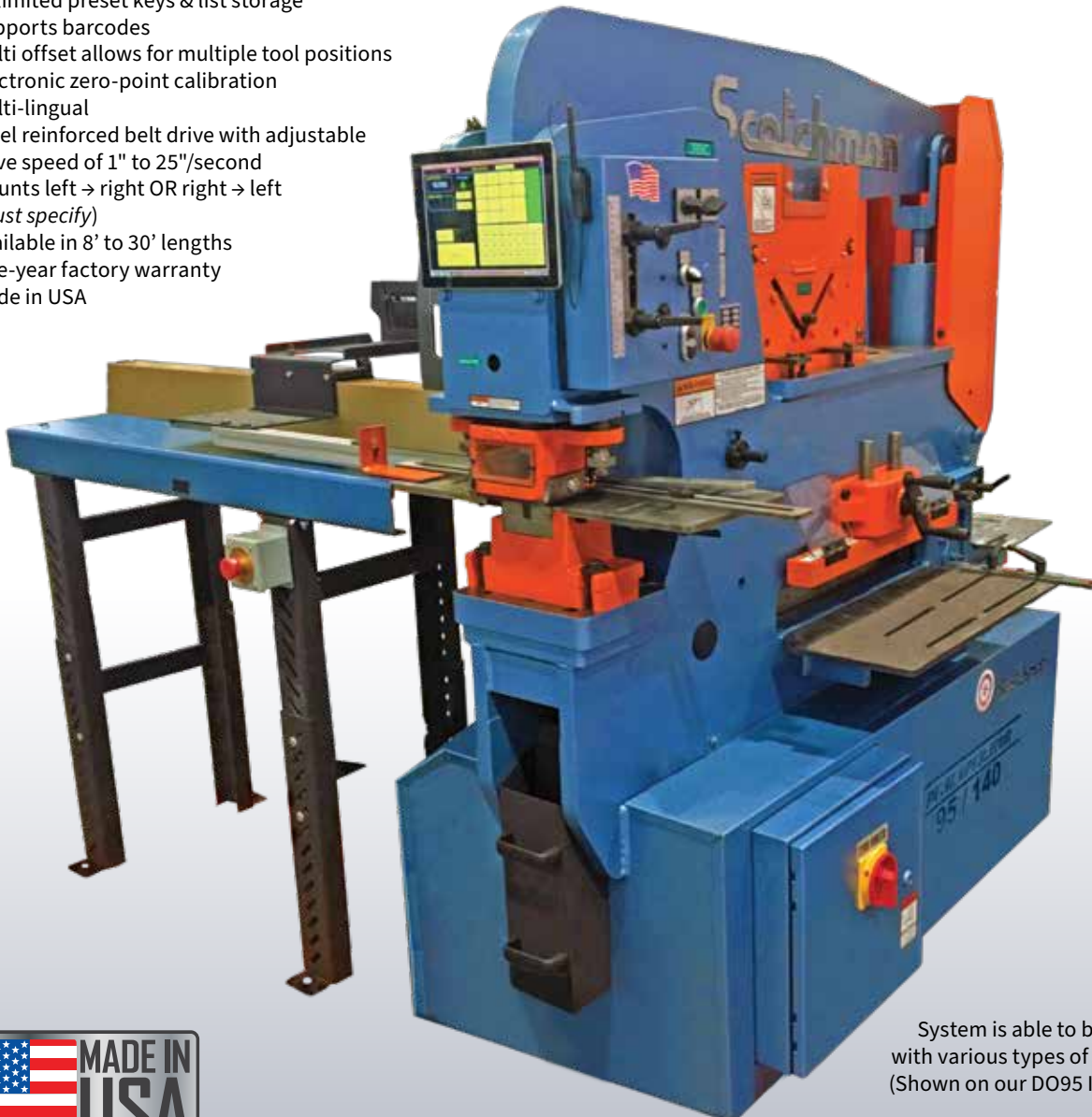
This programmable measuring system eliminates operator error and is easily programmed to measure length or has the ability to push material to a desired length. Simply enter a part length and the stop will advance to that position quickly and accurately. This Stop/Pusher System can move one length at a time or be programmed with a series of lengths and quantities for faster operation.

#### FEATURES

- Positioner accuracy  $\pm 0.008$ "
- 17" Screen – Windows® touchscreen technology
- Works in inches, fractions, decimals, or metric
- Fraction keys work as the "go" key
- Unlimited preset keys & list storage
- Supports barcodes
- Multi offset allows for multiple tool positions
- Electronic zero-point calibration
- Multi-lingual
- Steel reinforced belt drive with adjustable drive speed of 1" to 25"/second
- Mounts left → right OR right → left (*must specify*)
- Available in 8' to 30' lengths
- One-year factory warranty
- Made in USA

#### STOP/PUSHER FUNCTIONS

- Auto Pusher Mode
- Batch Mode
- Incremental Mode
- Set Point Mode



System is able to be paired with various types of equipment (Shown on our DO95 Ironworker)

# Measuring *Full-Auto*

## FULLY-AUTOMATED Auto Feed System (AFS)

### Fully automatic material feed system

Turn your semi-automatic saw into a fully-automatic production machine. The Advanced Feed System (AFS) will cut production time in half, virtually eliminating set-up time! Now, operators no longer need to use a tape measure or set and adjust manual stops. Pairs with Scotchman's CPO 350 PKPD & SUP series saws.



AUTOMATION

### FEATURES

- System accuracy  $\pm 0.015"$
- 17" Screen – Windows® touchscreen technology
- Intuitive interface
- Works in inches, fractions, decimals, or metric
- Fraction keys work as the “go” key
- Unlimited storage space to save cut jobs
- Able to switch between stop mode & pusher mode
- Capable of miter cutting in semi-auto mode
- Supports barcodes
- Multi offset allows for multiple tool positions
- Downloading of cut lists via built-in wireless networking or through USB drive
- Multi-lingual
- Carriage rides on linear bearing system
- Planetary gear head, near zero backlash
- Mounts left → right OR right → left (*must specify*)
- Available in 8' to 30' lengths
- One-year factory warranty
- Made in USA

### AUTOMATIC SEQUENCES

- Push stock to cut length
- Consider blade kerf
- Clamp the material
- Trigger the cut cycle
- Release the clamp
- Index to the next cut position & repeat!

### AUTO FEED FUNCTIONS

- Auto Pusher Mode
- Batch Mode
- Incremental Mode
- Set Point Mode
- Auto List (Optimizing)



Scan QR code to watch  
this system in action!

# Pipe Notchers

## Create the Perfect Notch in Seconds!

This line of notching equipment is top-quality, perfect for double corner joints, great for high production, and *always* backed by Scotchman's superior three-year warranty.

Ideal for steel, stainless steel, and non-ferrous tube & pipe construction, hand rails, gates & fences, car frames, roll cages, and more. Each piece is quickly and accurately notched and produces a gap-free fit ready for welding.

The manual and electric notchers are perfect for quick-fit 90° notches. Abrasive grinder/notchers provide the perfect saddle for unique angles on both round and square applications.

## Manual Pipe Notchers



**AL1**

3/4", 1", & 1-1/4"

**AL2**

1-1/2" & 2"

**AL3**

1-1/4" & 1-1/2"

**ALU**

Vent notch; 0.155" max. wall thickness

### FEATURES

- Portable and easy to mount to any stationary surface
- Notch several diameters up to schedule 40 wall thickness at 90°
- Requires no change-over or costly attachments
- Made in the Netherlands



## Electric Pipe Notchers

**AL1-2E**



**AL1-2U**



### FEATURES

- Equipped to notch 3/4", 1", 1-1/4", 1-1/2" and 2" up to schedule 40 wall thickness at 90°
- Safety guards surround and protect notching dies
- Made in the Netherlands

### SPECIFICATIONS

<b>Motor Options (must specify)</b>	3.5hp 230/460v, 3ph
<b>Dimensions</b>	30" x 13-1/2" x 11-1/2" (762mm x 343mm x 292mm)
<b>Shipping Weight (may vary)</b>	AL1-2E: 230 lbs. (104 kg) AL1-2U: 230 lbs. (104 kg)



Equipped with a vent notching die to quickly create a uniform vent-notch in round or square workpieces for galvanizing outflow

# Pipe Notchers

## Abrasive Grinder/Notchers

Constructed with heavy-duty base and frame, Scotchman's Grinder/Notchers operate smoothly with minimal vibrations. Each machine is designed for easy setup with one vise to hold all sizes of tube & pipe that is graduated in degrees and a mandrel with centerline adjustments. Tool-free belt and mandrel changes make transitions quick and easy.

### AL100 SERIES FEATURES

- Notches via adjustments straight = 90° to 30° in tube or pipe from 3/4" to 3" O.D. in seconds (chart pg. 50)
- Comes with two belts and two pipe mandrels (1-1/4" & 1-1/2")
- 13 optional mandrels available to ensure gap free fit
- Top mounted deburring table
- Two axis precision crossfeed table with hand lever feed handle (AL100U-01) or handwheels (AL100U-02)
- Made in the Netherlands



AL100U-01



AL100U-02



### SPECIFICATIONS

	AL100U-01	AL100U-02	AL150	AL150-HS
<b>Belt</b>	4" x 78-3/4" (100mm x 2,000mm)	4" x 78-3/4" (100mm x 2,000mm)	6" x 78-3/4" (150mm x 2,000mm)	6" x 78-3/4" (150mm x 2,000mm)
<b>Speed</b>	4.5 hp, 3,420 RPM	4.5 hp, 3,420 RPM	6 hp, 3,420 RPM	6 hp, 4,320 RPM
<b>Grinding Capacity</b>	1/2" to 3" O.D.	1/2" to 3" O.D.	1/2" to 4-1/2" O.D.	1/2" to 4-1/2" O.D.
<b>Angle Range</b>	Straight= 90° to 30°	Straight= 90° to 30°	Straight= 90° to 20°	Straight= 90° to 20°
<b>Motor Options (must specify)</b>	230/460v, 3ph 220v, 1ph	230/460v, 3ph 220v, 1ph	230/460v, 3ph 220v, 1ph	230/460v, 3ph *HS only comes in 3ph
<b>Dimensions</b>	L- 57" (145cm) W- 45-1/4" (115cm) H- 25-1/2" (65cm)	L- 57" (145cm) W- 45-1/4" (115cm) H- 25-1/2" (65cm)	L- 57" (145cm) W- 47-1/4" (120cm) H- 33-1/2" (85cm)	L- 57" (145cm) W- 47-1/4" (120cm) H- 33-1/2" (85cm)
<b>Shipping Weight (may vary)</b>	460 lbs. (209 kg)	460 lbs. (209 kg)	615 lbs. (279 kg)	695 lbs. (315 kg)

PIPE NOTCHERS

### AL150 SERIES FEATURES

- Notches via adjustments straight = 90° to 20° in tube or pipe from 3/4" to 4-1/2" O.D. in seconds (chart on page 50)
- Two axis precision crossfeed table with both handwheels and hand lever feed handles.
- Comes with two belts and two pipe mandrels (1-1/4" & 1-1/2")
- 17 optional mandrels available to ensure a gap free fit
- Top mounted deburring table (AL150)
- BackHigh speed parts grinder (AL150-HS)
- Base has two built-in racks to store mandrels (AL150-HS)
- Made in the Netherlands



AL150

High Speed Parts Grinder



AL150-HS

- Ideal for stainless & aluminum
- 40% faster than the AL150
- Less heat, minimal discoloration

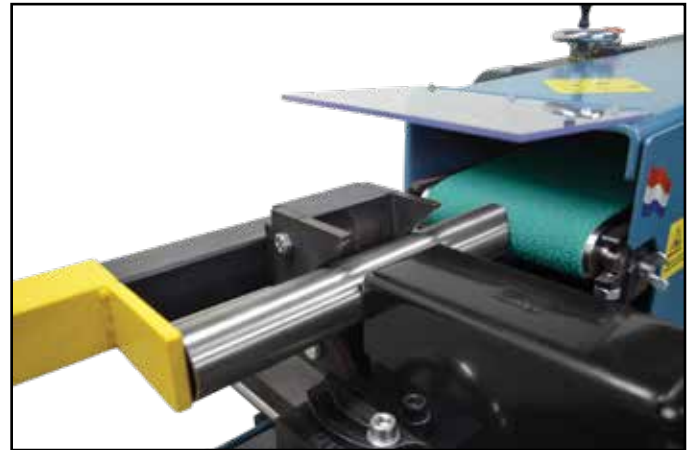
# Pipe Notcher *Accessories*

## BACK GAUGE ACCESSORY

For All AL100 and AL150 Models

- Use to set length positions and control depth of notch for repeatable and accurate part lengths.
- 4 ft. working length

Scan to watch  
Back Gauge  
in Action



## Mandrels For Abrasive Grinder/Notchers

17 mandrel sizes available to ensure a gap-free fit.



PIPE NOTCHERS

### MANDREL SPECIFICATIONS

Pipe	Tube	Decimal Size	AL100U-01 / AL100U-02 4" Part #	AL150 / AL150-HS 6" Part #
1/2"		0.840	A042.21.3	A043.21.3
	1.000	1.000	A042.26	A043.26
3/4"		1.060	A042.26.9	A043.26.9
	1.250	1.250	A042.32	A043.32
1"		1.330	A042.33.7	A043.33.7
	1.500	1.500	A042.38	A043.38
1-1/4"		1.660	A042.42.4	A043.42.4
	1.750	1.750	A042.44	A043.44
1-1/2"		1.900	A042.48.3	A043.48.3
	2.000	2.000	A042.50	A043.50
2"		2.375	A042.60.3	A043.60.3
	2.500	2.500	A042.63.5	A043.63.5
2-1/2"		2.875	A042.73.1	A043.73.1
	3.000	3.000	A042.76.1	A043.76.1
3"		3.500		A043.88.9
	3.500	3.500		A043.88.9
3-1/2"		4.000		A043.101.6
4"		4.500		A043.114.3



# Pipe Notcher *Accessories*

## Belts For Abrasive Grinder/Notchers

### Productivity

In most applications, abrasive belt notchers dramatically increase productivity. Unlike conventional grinding wheels, abrasive belts are self-sharpening, continuously exposing fresh cutting points. This means no more dressing or replacing expensive grinding wheels.



$$\text{Productivity} = \frac{\text{belt cost} + \text{labor} + \text{overhead}}{\text{number of parts ground}}$$

### Metal Removal

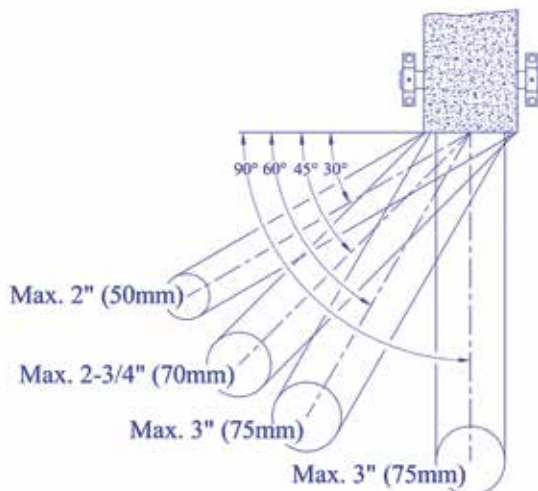
The rate of metal removal is determined by material to be ground, belt type, belt speed (SFPM) and the amount of pressure applied during grinding.

ABRASIVE GRINDING BELT SPECIFICATIONS			
Length/Grit	Product No.	Packaging	Description
4" x 78-3/4" (100mm x 2,000mm) / 36 GRIT	A044.00001	10 Belts Per Box	Rigid Belt for 3/4" & Larger Diameter
4" x 77-1/2" (100mm x 1,968.5mm) / 36 GRIT	A044.00003	10 Belts Per Box	Flexible Belt for 3/4" & Smaller Diameter
6" x 78-3/4" (150mm x 2,000mm) / 36 GRIT	A044.00002	10 Belts Per Box	Rigid Belt for 3/4" & Larger Diameter
6" x 77-1/2" (150mm x 1,968.5mm) / 36 GRIT	A044.00004	10 Belts Per Box	Flexible Belt for 3/4" & Smaller Diameter

\*Notchers with serial numbers 0001000-0001300, 9701301-9701650 & 9801651-9801700 require 4" x 77" belts

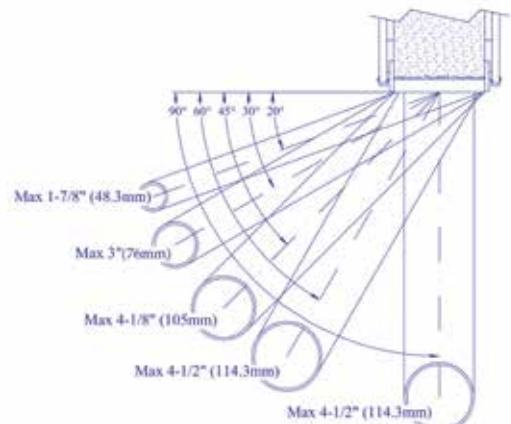
### TECHNICAL DATA - 4" BELT

Maximum Notch Per Angle  
AL 100 (4" Wide Belt)



### TECHNICAL DATA - 6" BELT

Maximum Notch Per Angle  
AL 150 Series (6" Wide Belt)



# Hydraulic Presses *PressPro Series*



**PressPro 66**  
66 ton



**PressPro 110**  
110 ton



**PressPro 110W**  
110 ton wide frame

## STANDARD FEATURES

- Heavy duty all-steel construction
- Industrial grade hydraulic system
- Ram moves laterally for added versatility
- 3 Ram speeds
- 15" of vertical ram travel
- Joystick operation with manual jog
- Removable ram cap to accept a wide variety of tooling
- Adjustable H-frame bed/table height offers increased versatility
- Open side-frame design allows for material to pass through
- Set of V-Blocks to simplify your pressing jobs
- Pressure gauge to monitor force
- Hydraulic-assist adjustable work table to maximize operator safety
- Built-in forklift accommodations (except model 176MT)
- Meets CE standards
- Three-year warranty
- Made in USA

## STANDARD V-BLOCK SET

Available on PressPro 66, 110, 110W, 176 models

Standard Accessories: • 2 Steel V-Blocks



## OPTIONAL MANDREL SET

Available on PressPro 66, 110, 110W models



# Hydraulic Presses *PressPro Series*



**PressPro 176**  
176 ton



**PressPro 176MT**  
176 ton with movable frame

- The movable frame feature allows for overhead loading of heavy workpieces
- Easily slide the ram head (side to side) and press frame (forward and back) to access all different points of the work surface.

## SPECIFICATIONS

	PressPro 66	PressPro 110	PressPro 110W (Wide Frame)	PressPro 176	PressPro 176MT (Movable Frame)
<b>Press Force</b>	66 tons (60 mt)	110 tons (100 mt)	110 tons (100 mt)	176 tons (160 mt)	176 tons (160 mt)
<b>Motor Rate</b>	2.5 hp (1.8 kW)	3.5 hp (2.6 kW)	3.5 hp (2.6 kW)	5 hp (3.6 kW)	5 hp (3.6 kW)
<b>Motor Options (must specify)</b>	230/460v, 3ph	230/460v, 3ph	230/460v, 3ph	230/460v, 3ph	230/460v, 3ph
<b>Ram Speed - Approach</b>	21 ipm (8.69 mm/s)	18 ipm (7.54 mm/s)	18 ipm (7.54 mm/s)	18 ipm (7.48 mm/s)	18 ipm (7.48 mm/s)
<b>Ram Speed - Press</b>	5 ipm (2.07 mm/s)	6 ipm (2.47 mm/s)	6 ipm (2.47 mm/s)	6 ipm (2.40 mm/s)	6 ipm (2.40 mm/s)
<b>Ram Speed - Return</b>	25 ipm (10.79 mm/s)	21 ipm (9.06 mm/s)	21 ipm (9.06 mm/s)	22 ipm (9.35 mm/s)	22 ipm (9.35 mm/s)
<b>Open Height - Min.</b>	6-5/16" (160 mm)	8-1/4" (210 mm)	8-1/4" (210 mm)	9-1/2" (241 mm)	-
<b>Open Height - Max.</b>	31-15/16" (811 mm)	29-3/4" (755 mm)	29-3/4" (755 mm)	32" (813 mm)	27-5/8" (702 mm) w/small ram cap
<b>Stroke</b>	15"	15"	15"	15-3/4"	15-3/4"
<b>Lateral Ram Slide</b>	Yes	Yes	Yes	Yes	Yes
<b>Width Between Uprights</b>	29-1/2"	43-1/4"	59"	43-3/16"	43-3/16"
<b>Width Between Table Channels</b>	11-15/16"	14-1/4"	14-1/4"	17-1/16"	9-5/8"
<b>Table Height**</b>	Adjustable	Adjustable	Adjustable	Adjustable	Fixed at 30" Table Size (L x W): 54-1/2" x 38-1/2" Frame Movement: 38-1/2" Max Load: 1,653 lbs. (750 kg)
<b>Footprint (L x W)</b>	57-3/4" x 39-1/4" (147 cm x 100 cm)	67-1/2" x 41" (171.5 cm x 104 cm)	83-1/8" x 41" (211 cm x 104 cm)	69-1/8" x 42-3/8" (175.5 cm x 107.5 cm)	68-1/2" x 69" (174 cm x 175.5 cm)
<b>Height Overall</b>	82-3/4" (210 cm)	83-3/8" (212 cm)	83-3/8" (212 cm)	87" (221 cm)	85" (216 cm)
<b>Shipping Weight</b>	1,600 lbs. (726 kg)	3,000 lbs. (1,361 kg)	3,450 lbs. (1,565 kg)	3,680 lbs. (1,669 kg)	4,500 lbs. (2,041 kg)

\*\*Movement of ram cylinder and press frame are done manually. Hydraulic assist for table height adjustment.

# Customer Service

At Scotchman, we stand behind our products with more than just an industry-leading warranty; we provide lifetime customer support and are committed to the success of our customers.

## Live, ON-SITE Demonstrations



### Convenient & Free.

See our machinery in action and test cut your material without leaving your place of business, anywhere in the lower 48 states.



**SCHEDULE YOUR  
ON-SITE DEMO**

Scan QR code or  
call 800-843-8844



# Lease-Purchase Financing



## Invest in Yourself

Get the equipment you need to grow your business today.

Scotchman Credit Corp. (SCC) offers Low Payments with Highly Competitive Rates!

### STRAIGHTFORWARD LEASING RATES AND TERMS

- Flexible 1-to-5 year terms with low rates based on purchase price -- *Monthly plans for businesses & yearly plans for schools*
- No hidden fees or early payoff penalty
- One-time \$100 documentation fee
- One advanced payment required for each year of the lease
- All contracts are Lease-To-Own: \$1.00 end-of-lease buyout

### MINIMUM QUALIFICATION REQUIREMENTS

- 2 years in business
- \$4,000 lease minimum
- Leasing not available in Alabama, New Jersey, Nevada, West Virginia, or countries outside of the United States.

### SIMPLE ONE-PAGE APPLICATION

Scan this code



FINANCING

### Contact Us

(800) 843-8844 or (605) 859-2542

[sccleasing@scotchman.com](mailto:sccleasing@scotchman.com)

MACHINES  
THAT WORK  
AS HARD  
AS YOU DO.

**Scotchman**<sup>®</sup>  
Metal Fabricating Solutions

Socio Comercial en México:

**ACAT**

ACAT MEXICANA  
Ave. Regio Parque #200 Regio Parque Industrial  
Apodaca, Nuevo León, México. CP. 66633



acat@acatmexicana.com



TEL. 81 8354 8910



www.acatmexicana.com